

SO3050PE/S/P



CARACTERÍSTICAS

Wolf's dual convection system featured in the upper oven provides reliably even heat, reduces hot and cold spots, and enables consistent multi-rack cooking

Ten cooking modes, including Bake, Broil, Convection, Convection Roast, Dehydrate, Gourmet, Proof, Roast, Stone, and Warm, were developed by Wolf chefs to maximize the performance of your oven

Gourmet Mode offers nearly 50 presets to automatically cook a delicious set of impressive dishes

The large full-color touch screen and stainless touch controls are intuitive and easy-to-read

The temperature probe alerts you when your dish has reached the desired temperature

The oven offers self-clean, delayed start, timed cook, and Sabbath features

The oven's Wi-Fi enabled feature lets you remotely preheat, select modes, and adjust oven temperature from your mobile device

Coordinates with other [tri-brand#] appliances to create a cohesive look in your kitchen

Get the most out of your oven with tips and recipes from the Mastering the E Series Oven guide

ACCESORIOS

30" Broiler Pan

Charolas para hornear premier

Charolas para hornear premier

Juego de rejillas de horno (3)

Kit de deshidratación

Kit de deshidratación

Kit de piedra para hornear

Kit de piedra para hornear

Kit para Instalación Dual

Rejilla de extensión completa deslizable.

Temperature Probe

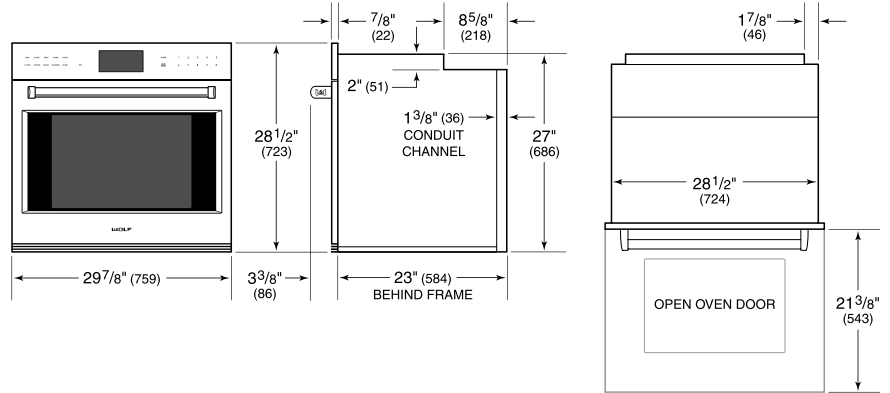
Los electrodomésticos están disponibles por medio de un comerciante autorizado. Para información del comerciante local, visite subzero-wolf.com/locator.



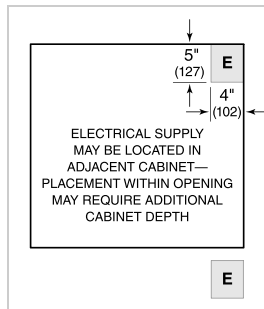
ESPECIFICACIONES DEL PRODUCTO

Modelo	SO3050PE/S/P
Dimensiones	29 7/8"W x 28 1/2"H x 23"D
Dimensiones Interiores del Horno 1	25 1/4"W x 17 1/2"H x 18 1/2"D
Overall Capacity	4.7 cu. ft.
Usable Capacity	3.1 cu. ft.
Paso de Puertas	21 3/8"
Peso	257 lbs
Suministro Eléctrico	240/208 Vca, 60 Hz
Servicio Eléctrico	circuito dedicado de 30 amperios
Longitud del Conducto	4 Feet

DIMENSIONES

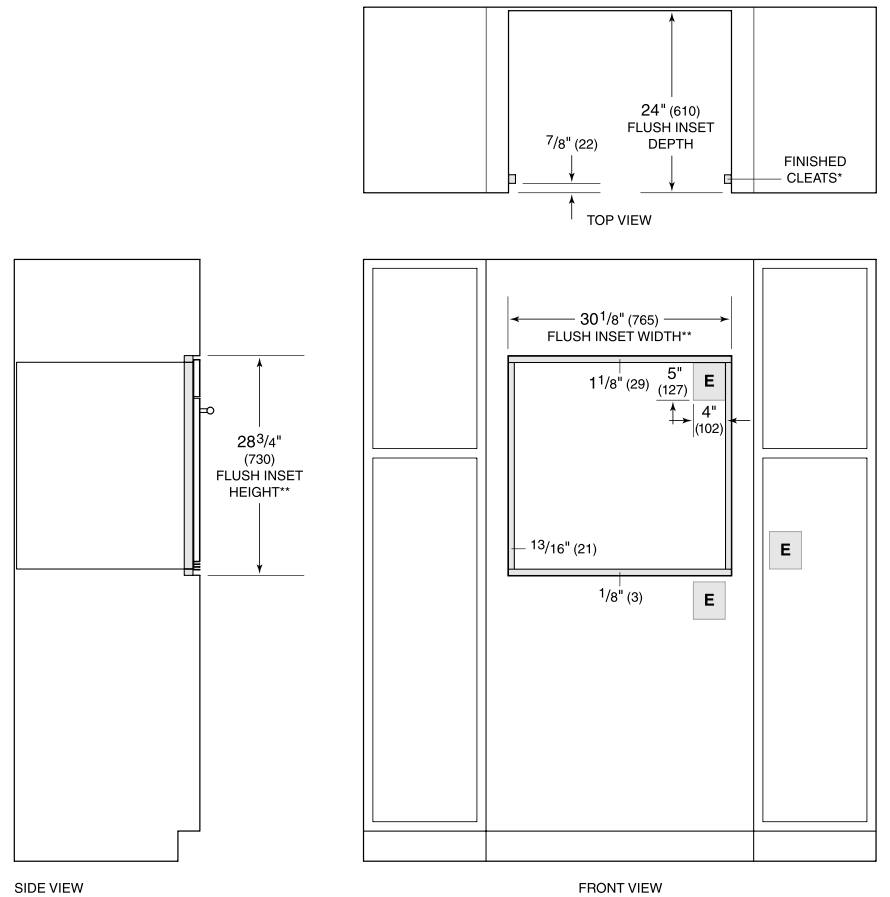


ELÉCTRICO



NOTE: Dimensions in parenthesis are in millimeters unless otherwise specified

FLUSH INSTALACIÓN



SIDE VIEW

FRONT VIEW

*Shaded areas will be visible and should be finished to match cabinetry.

**Dimension provides minimum reveals.

NOTE: Location of electrical supply within opening may require additional cabinet depth.