

## CSOP3050PM/S/P

### CARACTERÍSTICAS

Elegant modern aesthetics

Features both plumbed and non-plumbed options

Sleek Full-color LCD Touchscreen

Save up to 50 personalized favorite recipe presets.

11 Cooking Modes

1750-watt recessed broil element

2.4 cubic-foot oven cavity

Three full-extension rack positions and one standard position

Large 40-fluid ounce water tank

La sonda de temperatura le alerta cuando su plato ha alcanzado la temperatura deseada

### ACCESORIOS

Bandeja perforada 12 3/4" x 1 1/2" x 7"

Bandeja perforada 17 3/4" x 1 1/4" x 15"

Bandeja sólida 12 3/4" x 1 1/2" x 7"

Broiler Rack

Porcelain Steam Enameled Broil Pan

Solid Pan - 24 3/4" x 1 3/8" x 14 1/2"

Solución descalcificadora

Standard Oven Rack

Temperature Probe

Los electrodomésticos están disponibles por medio de un comerciante autorizado. Para información del comerciante local, visite [subzero-wolf.com/locator](http://subzero-wolf.com/locator).

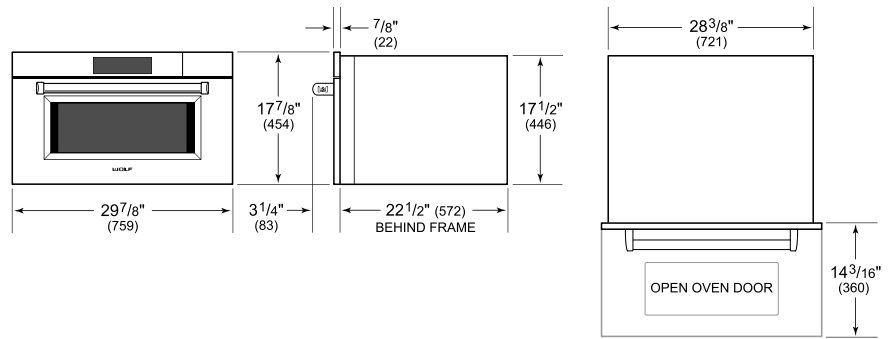


**ESPECIFICACIONES DEL PRODUCTO**

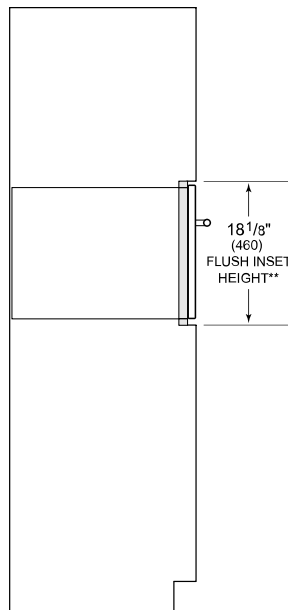
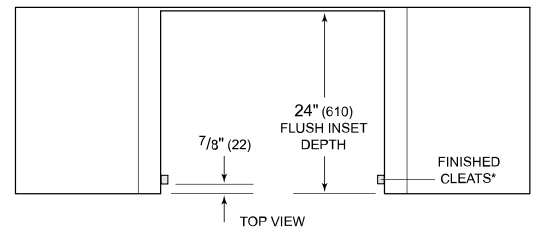
Modelo	CSOP3050PM/S/P
Dimensiones	29 7/8"W x 17 7/8"H x 22 1/2"D
Dimensiones Interiores del Horno	17 1/2"W x 10 3/4"H x 15 1/8"D
Overall Capacity	2.4 cu. ft.
Usable Capacity	1.8 cu. ft.
Paso de Puertas	14 3/16"
Peso	91 lbs
Suministro Eléctrico	240/208 Vca, 60 Hz
Servicio Eléctrico	circuito dedicado de 20 amperios
Suministro de Plomería	6.5' (2 m) braided tubing with 3/8" female compression fitting
Presión de Plomería	15–145 psi
Longitud del Conducto	4 Feet

**NOTE:** Dimensions in parenthesis are in millimeters unless otherwise specified

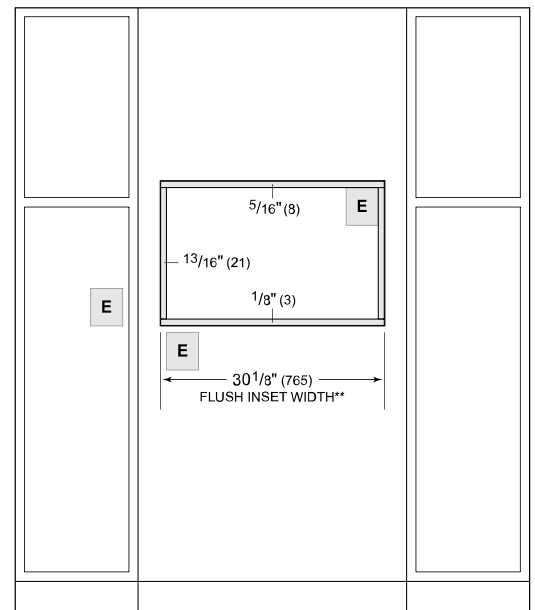
**DIMENSIONES**



**FLUSH INSTALACIÓN**



SIDE VIEW



FRONT VIEW

\*Will be visible and should be finished to match cabinetry.

\*\*Dimension provides minimum reveals.

NOTE: Location of electrical supply within opening may require additional cabinet depth.