

DEU15501

CARACTERÍSTICAS

For extra peace of mind, if the unit senses a water leak, it will shut down to prevent further leakage and notify you through an alarm and the Owner's App.

MaxQuiet™ technology ensures near-silent operation

Intuitive cleaning system requires less user interaction

A subtle floor light shows the progress of the cleaning process

Produces up to 65 lbs. of clear cube-shaped ice (approximately 1 1/4" across) per day

Rounded ice scoop is specially designed to pick up as many cubes as possible

Panel-ready, with integrated hinges, to blend seamlessly into surrounding cabinetry

The intuitive controls match other Sub-Zero touchscreens and are located on top of the door for easy access and viewing

Use the Owner's App on your mobile device to start or stop ice making, remotely monitor the unit, adjust settings, and receive notifications on cleaning status

Sub-Zero's legendary quality means the ice maker will provide years of regular use even in harsh outdoor conditions

ACCESORIOS

15" Outdoor Stainless Door Panel - Pro Handle, Left Hinge

Paneles de puerta sólida de acero inoxidable

Zócalos dobles de acero inoxidable

Paneles de puerta sólida de acero inoxidable para exteriores

Los accesorios están disponibles a través de un distribuidor autorizado. Para obtener información sobre los distribuidores locales, visite subzero-wolf.com/locator.

**HANDLE ACCESSORIES**

PRO



TUBULAR

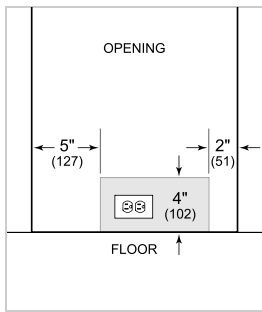
**DETALLES DEL PRODUCTO****CONGELADOR**

- Luz LED
- Con cuchara para hielo incorporada

ESPECIFICACIONES DEL PRODUCTO

Modelo	DEU1550I
Dimensiones	15"W x 34 1/2"H x 23 1/8"D
Suministro eléctrico	115 VAC, 60 Hz
Servicio eléctrico	Circuito dedicado de 15 amperes
Suministro de plomería	1/4" OD copper, braided stainless steel or PEX tubing
Presión de las tuberías	20–80 psi
Receptáculo	3-prong grounding-type

INSTALACIÓN ELÉCTRICA



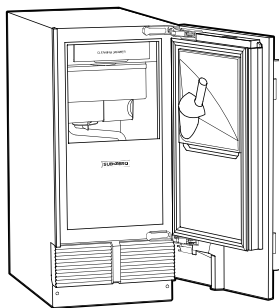
NOTE: The electrical outlet must be positioned with the grounding prong to the right of the thinner blades.

PANEL SPECIFICATIONS For complete panels specifications including width/height, weight requirements and thickness requirements visit subzero-wolf.com/reveal.

NOTE: Dimensions in parenthesis are in millimeters unless otherwise specified

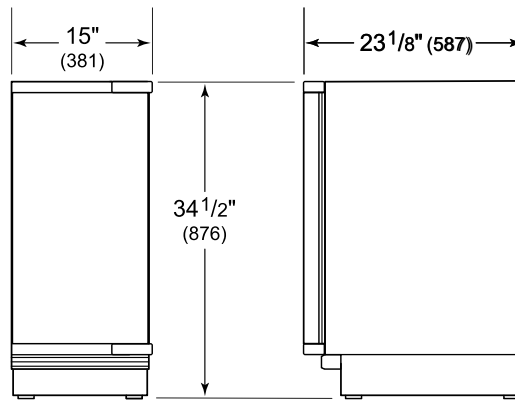
ICE MAKER DRAIN Ice maker models can be ordered with or without a drain pump. Models without a pump will drain water by gravity. A drain must be provided for all models.

VISTA INTERIOR

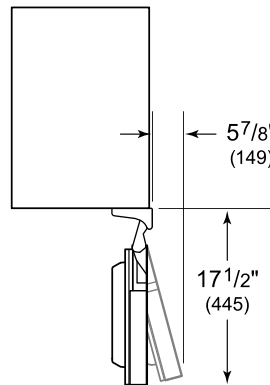


Esta ilustración es solo para referencia interior y puede no representar el exterior del modelo especificado.

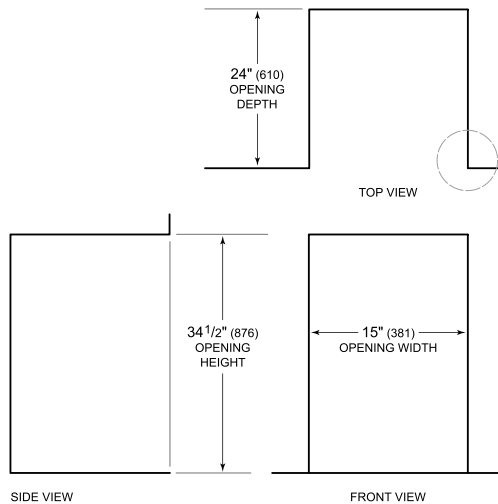
DIMENSIONES



HEIGHT DIMENSIONS ± 1/2" (13)



STANDARD INSTALLATION



NOTE: 3 1/2" (89) finished returns will be visible and should be finished to match cabinetry.

