



Dishwasher

Quick Start Guide



Dishwasher Operation

For complete information on the operation and maintenance of your Cove dishwasher, refer to the use and care guide.

WASH CYCLES

Setting a wash cycle:

- 1 Touch the desired wash cycle or touch Cycles+ multiple times to scroll to the desired wash cycle.
- 2 Touch Start and close the door within 4 seconds.

NOTE: To incorporate a cycle option to the wash cycle, touch Options before touching Start. Options vary according to selected wash cycle. To change the cycle after touching Start, touch Cancel.

Setting cycle options:

- 1 Select the desired wash cycle.
- 2 Touch Options.
- 3 Touch Options multiple times to scroll through cycle options.
- 4 Touch Enter to select the desired option and continue to touch Enter until the desired setting appears on the display.
- 5 Touch Options again to select additional options.
- 6 To start the cycle, touch Start and close the door within 4 seconds.

To interrupt a cycle:

- 1 Open the door.
- 2 To restart the cycle, touch Start and close the door within 4 seconds.

To cancel a cycle:

- 1 Open the door.
- 2 Touch Cancel and follow the instructions on the display.

CYCLE DESCRIPTION

CYCLE	DESCRIPTION
AUTO	For all soil levels. Automatically adjusts to the optimal wash time, water temperature, and water consumption.
NORMAL	For normally soiled dishes from typical daily use. Average wash time, water temperature, and water consumption.
HEAVY	For heavily soiled dishes. Slightly increases wash time, water temperature, and water consumption.
QUICK	For lightly soiled dishes. Reduces overall wash time.

CYCLE OPTIONS

OPTION	DESCRIPTION
Delay Start	Delays the start of the wash cycle by 1–12 hours in 1-hour increments.
High Temp Wash	Increases the main wash water temperature and extends the cycle time by 10 minutes.
Sani Rinse*	Increases the rinse water temperature and extends the rinse time by 15 minutes.
Extended Dry	Extends the dry time by 30 minutes.
Extra Dry	Increases the rinse water temperature and extends the dry time by 30 minutes.

*Sanitizes per NSF/ANSI standard 184 for residential dishwashers.

STATUS LIGHT

The status light illuminates to indicate the status of the cycle.

LIGHT	CYCLE STATUS
Blue	A delayed start has been selected. Touch Start each time the door is opened prior to the start time.
Red	The cycle has started.
Green	The cycle is complete.
No Light	The door was not closed within 4 seconds after touching Start, the cycle has been complete for more than two hours (low status light setting)/ eight hours (high status light setting), or the door was opened after cycle completion.





Dishwasher

USER SETUP

The user setup feature allows the user to select preferences as listed in the chart below.

USER OPTIONS

Language	Select language.
Water Hardness	Adjust water hardness setting.
Connect	Turn connect on or off.*
Tone Level	Adjust tone level.
Notification	Turn end-of-cycle chime to off, low, or high. If set to off, also disables the end-of-cycle light.
Scroll Rate	Adjust display scroll rate.
Display Contrast	Adjust display contrast.
Display Brightness	Adjust display brightness.
Status Light	Adjust status light brightness and duration to off, low (2 hours), or high (8 hours).
Rinse Aid Dosing	Adjust amount of rinse aid dispensed.
Showroom Mode	For showroom use only.
Reset All	Restore factory settings.

*Connect must be turned on to connect to the Sub-Zero Group Owners App.

Setting user options:

- 1 Touch Cancel twice.
- 2 Touch and hold Options for approximately 10 seconds until "User Set Up. Press Options or Cancel to Exit." appears on the display.
- 3 Touch Options multiple times to scroll to the desired option.
- 4 Touch Enter multiple times to scroll to desired setting.
- 5 Touch Cancel to save settings and exit user setup.

DISPENSER

The dispenser located on the interior of the door has one compartment for detergent and another for rinse aid.

To add dishwasher detergent:

- 1 Add detergent to the compartment on the left.
- 2 Slide the cover closed.

To open the door once closed, touch the button on the side of the dispenser.

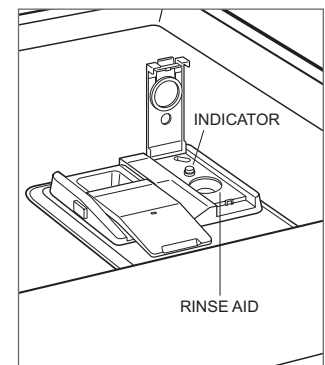
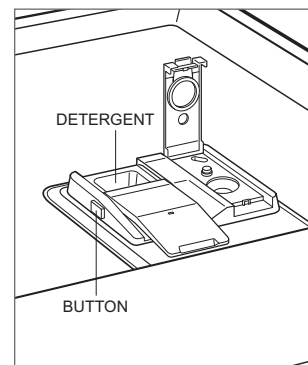
To add rinse aid:

- 1 Lift the tab of the cover on the right.
- 2 Add rinse aid. The rinse aid compartment is full when the indicator appears the color of the rinse aid.
- 3 Wipe away any rinse aid that may have spilled.

When rinse aid is low, "Add Rinse Aid. Enter once added, Cancel to ignore." appears on the display.

⚠ CAUTION

Do not add anything other than dishwasher detergent or a dishwasher cleaner to the detergent compartment and rinse aid to the rinse aid compartment.



WATER SOFTENER

For water softener models only, a salt compartment is located at the bottom of the interior. Prior to filling the salt compartment for the first time, fill the compartment with water, then add salt. Water does not have to be added with subsequent refills.

